

TRUSTED  
DOC M  
SOLUTIONS



# DOC M SOLUTIONS YOU CAN SPECIFY WITH CONFIDENCE

Creating compliant, accessible washrooms doesn't need to be complicated. Twyford's Doc M solutions are designed to help you meet regulations with confidence, while delivering durable, practical and well-considered environments for users.

Our Doc M ranges are developed to support a wide variety of commercial and public sector settings, including healthcare, education, leisure and workplace environments. Every product is carefully specified to meet current standards, while maintaining ease of installation, long-term performance and everyday usability.

From sanitaryware and grab rails to basins, WCs and accessories, Twyford offers coordinated Doc M solutions that are robust, reliable and simple to specify. Our focus is on making compliance straightforward, without compromising on quality or functionality.

With decades of experience supporting accessible washroom design, Twyford provides trusted Doc M solutions that work seamlessly across projects of all sizes.



[twyfordbathrooms.com](https://www.twyfordbathrooms.com)

## CONTENTS

DESIGNED FOR CLEAR VISUAL CONTRAST	4
INSTALLATION GUIDANCE	5
COMPLETE DOC M ROOM SOLUTIONS	
Ambulant CC Pack	6
Rimless Ambulant BTW Pack	8
Value Pack	10
Value Pack Plus	12
Rimless Super Pack	14
Rimless BTW Pack	16
Concealed Shower Pack	18
Exposed Shower Pack	20
DOC M OVERVIEW	22
DOC M SANITARYWARE AND FITTINGS	23
GRAB RAILS AND ACCESSORIES	24

# DESIGNED FOR CLEAR VISUAL CONTRAST

## SUPPORTING IMPROVED SPATIAL AWARENESS

Thoughtful use of colour contrast can make a significant difference in how a space is perceived, particularly for those with visual impairments or cognitive conditions such as dementia.

Contrast is measured using Light Reflectance Value (LRV), which indicates how much light a surface reflects on a scale from 0 (black) to 100 (white). Building Regulations Approved Document M recommends a minimum difference of 30 LRV points to achieve effective visual contrast.

Geberit Doc M packs are designed with this in mind, offering colour options that help clearly differentiate key elements such as rails and seats. This supports safer, more intuitive use of the washroom environment.

A simple yet effective way to enhance accessibility, while maintaining a clean and considered design.



TYPE	ARTICLE	FINISH	RAL	LRV
Shower Curtain Rail	AV6814WH	White	9910	90
	AV4912WH	White	9910	90
Back Support with Cushion	AV4912BE	Blue	5011	6
	AV4912GY	Grey	7005	20
	AV4901WH	White	9910	90
450mm Grab Rail	AV4901BE	Blue	5011	6
	AV4901GY	Grey	7005	20
	AV4901SS	Stainless Steel	n/a	42
	AV4901CH	Charcoal	7016	8
	AV4902WH	White	9910	90
600mm Grab Rail	AV4902BE	Blue	5011	6
	AV4902GY	Grey	7005	20
	AV4902SS	Stainless Steel	n/a	42
	AV4902CH	Charcoal	7016	8
	SR5906WH	White	9910	90
Hinged Support Rail (with Roll Holder)	SR5906BE	Blue	5011	6
	SR5906GY	Grey	7005	20
	SR5906CH	Charcoal	7016	8
	AV4915WH	White	9910	90
Hinged Support Rail (without Roll Holder)	AV4915BE	Blue	5011	6
	AV4915GY	Grey	7005	20
	AV4915SS	Stainless Steel	n/a	42
	AV4915CH	Charcoal	7016	8
	SR5905WH	White	9016	90
450mm Grab Rail (Visible Fixings)	SR5905BE	Blue	5011	6
	SR5902WH	White	9016	90
600mm Grab Rail (Visible Fixings)	SR5902BE	Blue	5011	6
	SR5902GY	Grey	7005	20
	SR5810WH	White	9016	90
Hinged Support Rail (with Roll Holder, Visible Fixings)	SR5810BE	Blue	5011	6
	SR5810GY	Grey	7005	20
	SR4922WH	White	9016	90
Back Support with Cushion	SR4922BE	Blue	5011	6
	SR4922GY	Grey	7005	20
	SR4922SS	Stainless Steel	n/a	41
	SR4922CH	Charcoal	7016	7.9
	AV7875WH	White	9003	78
Seat and Cover	AV7875BE	Blue	5011	6
	AV7886GY	Grey	7005	20
	AV7875WH	White	9003	78
Seat Ring	AV7886BE	Blue	5011	6
	AV7886GY	Grey	7005	20
	AV7886CH	Charcoal	7016	7.3

# DOC M AMBULANT CC PACK

## COMPRISING COMPONENTS

Avalon HO pan  
Doc M value cistern, fittings & spatula lever  
- 6 litre flush  
Doc M seat ring, stainless steel hinge  
3 x 600mm grab rails exposed fixings  
1 x 450mm grab rail exposed fixings  
Pan fixings  
Cistern cover clip

## APPROVALS

LABC certificate, ref: EWS1337D

## MATERIAL

Vitreous china.  
Grab rails in powder coated steel.

## COLOURS

Rails and seat available in a range of colour options:  
White (PK8160WH) – RAL 9003, Luminance Value 78  
Blue (PK8160BE) – RAL 5011, Luminance Value 6

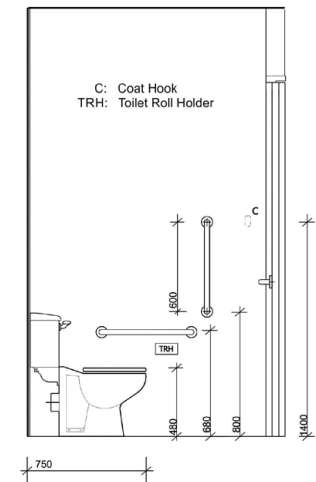
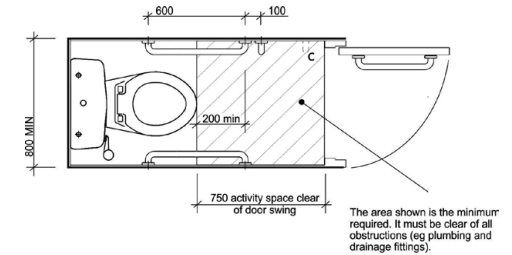


Image shows: blue grab rails  
and seat (PK8160BE)

The products included in this set, along with the layout details, comply with the requirements set out in Building Regulations Approved Document M (2015). Each Doc M pack is offered in a selection of colour finishes. Colour options vary by pack. All measurements shown are in millimetres. Drawing sizes are not to scale.



# DOC M VALUE PACK

## COMPRISING COMPONENTS

- Avalon HO pan
- Doc M value cistern, fittings & spatula lever - 6 litre flush
- Doc M seat ring, stainless steel hinge
- Alcona 360 Handrinse basin, 2 tap including basin trap
- Tap hole stopper for handrinse basin
- Sola single lever basin monobloc
- Mixing valve - thermostatic TMV3 (SF1037XX)
- 4 x 600mm grab rails exposed fixings
- 1 x 450mm grab rail exposed fixings
- 1x hinged support rail and toilet roll holder exposed fixings
- Pan fixings
- Cistern cover clip
- Grid Waste
- Basin traps

## APPROVALS

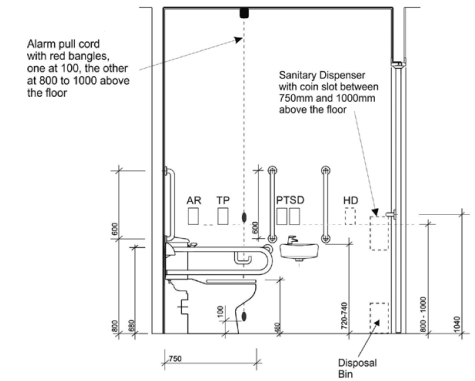
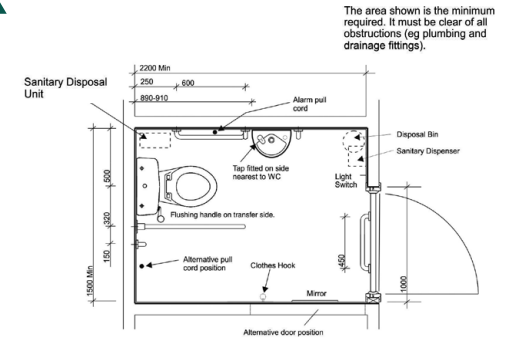
- LABC certificate, ref: EWS1337A
- WRAS Approved, TMV3

## MATERIAL

- Vitreous china.
- Grab rails in powder coated steel.

## COLOURS

- Rails and seat available in a range of colour options:
- White (PK8185WH) – RAL 9003, Luminance Value 78
- Blue (PK8185BE) – RAL 5011, Luminance Value 6



- AR: Alarm Reset Button
- TP: Toilet Paper Dispenser
- PTSD: Paper Towel Dispenser
- SD: Soap Dispenser
- HD: Possible position for Automatic Hand Dryer

The drawing above shows a Left Hand installation. A Right Hand installation is the mirror image of above.



Image shows: white grab rails and seat (PK8185WH).

The products included in this set, along with the layout details, comply with the requirements set out in Building Regulations Approved Document M (2015). Each Doc M pack is offered in a selection of colour finishes. Colour options vary by pack. All measurements shown are in millimetres. Drawing sizes are not to scale.

# DOC M VALUE PACK PLUS

## COMPRISING COMPONENTS

- Avalon HO pan
- Doc M value cistern, fittings & spatula lever - 6 litre flush
- Avalon seat ring, stainless steel bar hinge, top fix and stability buffers
- Alcona 360 Handrinse basin, 1 tap including basin trap
- Sequential lever action mixer tap with flexi tails
- Mixing valve - thermostatic TMV3 (SF1037XX)
- 4 x 600mm grab rails concealed fixings
- 1 x 450mm grab rail concealed fixings
- 1x Hinged support rail and toilet roll holder concealed fixings
- Pan fixings, cistern cover clip
- Grid waste
- Basin traps

## APPROVALS

- LABC certificate, ref: Pending
- WRAS Approved, TMV3

## MATERIAL

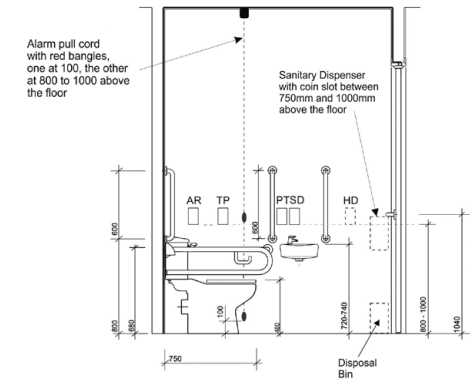
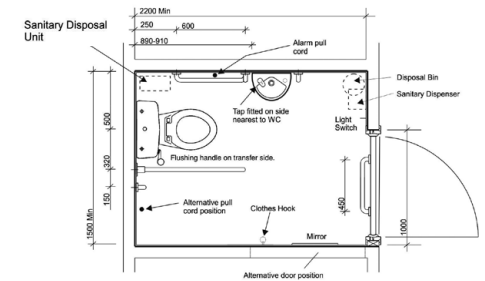
- Vitreous china.
- Grab rails in powder coated aluminium.

## COLOURS

- Rails and seat available in a range of colour options:
- White (PK8255WH left & PK8355WH right) - RAL 9016, Luminance Value 90
- Blue (PK8255BE left & PK8355BE right) - RAL 5011, Luminance Value 6
- Grey (PK8255GY left & PK8355GY right) - RAL 7005, Luminance Value 20



The area shown is the minimum required. It must be clear of all obstructions (eg plumbing and drainage fittings).



AR: Alarm Reset Button  
 TP: Toilet Paper Dispenser  
 PT: Paper Towel Dispenser  
 SD: Soap Dispenser  
 HD: Possible position for Automatic Hand Dryer

The drawing above shows a Left Hand installation. A Right Hand installation is the mirror image of above.

Image shows: grey grab rails and seat (PK8255GY)

The products included in this set, along with the layout details, comply with the requirements set out in Building Regulations Approved Document M (2015). Each Doc M pack is offered in a selection of colour finishes. Colour options vary by pack. All measurements shown are in millimetres. Drawing sizes are not to scale.

# DOC M RIMLESS SUPER PACK

## COMPRISING COMPONENTS

Avalon Rimless HO pan and fixings

Avalon Rimless cistern, fittings and spatula lever  
- 4 or 6 litre flush

Avalon seat ring, stainless steel bar hinge,  
top fix and stability buffers

Sola square handrinse basin, 400, no overflow 1 tap  
including basin trap

Sola thermostatic basin mixer with fixed spout  
and copper tails (SF1140CP)

4 x 600mm grab rails concealed fixings

1 x 450mm grab rail concealed fixings

1x Hinged support rail and toilet roll holder  
concealed fixings

Wall bolts (pair), Grid waste, Cistern cover clip

Basin traps

## APPROVALS

LABC certificate, ref: EWS1337B

Pending WRAS approval

## MATERIAL

Vitreous china.

Grab rails in powder coated aluminium.

## COLOURS

Rails and seat available in a range of colour options:

White (PK8256WH left & PK8356WH right)

- RAL 9016, Luminance Value 90

Blue (PK8256BE left & PK8356BE right)

- RAL 5011, Luminance Value 6

Grey (PK8256GY left & PK8356GY right)

- RAL 7005, Luminance Value 20

Charcoal (PK8256CH left & PK8356CH right)

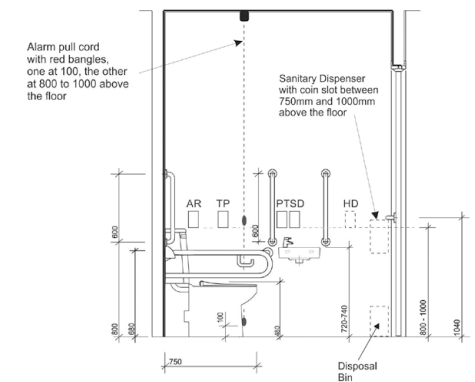
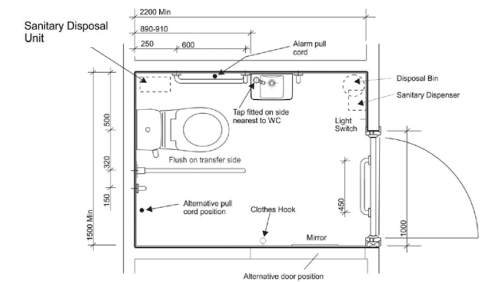
- RAL 7016, Luminance Value 8

Stainless Steel (PK8256SS left & PK8356SS right)

- Luminance Value 42 (rails only)



The area shown is the minimum required. It must be clear of all obstructions (eg plumbing and drainage fittings).



AR: Alarm Reset Button  
TP: Toilet Paper Dispenser  
PT: Paper Towel Dispenser  
SD: Soap Dispenser  
HD: Possible position for Automatic Hand Dryer

The drawing above shows a Left Hand installation. A Right Hand installation is the mirror image of above.

Image shows: stainless steel grab rails and seat (PK8256SS)

The products included in this set, along with the layout details, comply with the requirements set out in Building Regulations Approved Document M (2015). Each Doc M pack is offered in a selection of colour finishes. Colour options vary by pack. All measurements shown are in millimetres. Drawing sizes are not to scale.



# DOC M CONCEALED SHOWER PACK

## COMPRISING COMPONENTS

- Shower rail 1200 x 1200mm
- Shower curtain 1800 x 2000mm x 2
- Concealed shower valve (SF1137CP)
- Shower rail, hose and head
- Shower vandal resistant fixed head
- Shower diverter
- 4 x 600mm support rail concealed fixings
- 2 x hinged support rail concealed fixings
- Pressalit seat and back rest

## APPROVALS

LABC certificate, ref: EWS1337E  
WRAS Approved, TMV3

## INSTALLATION

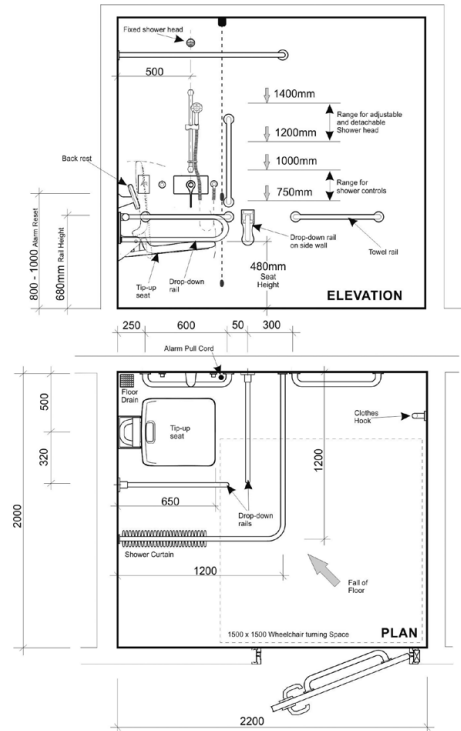
Minimum operating pressure 0.2 bar  
Maximum operating pressure 10 bar

## MATERIAL

Grab rails in powder coated aluminium.

## COLOURS

Shower rail and curtain White only. Grey seat.  
Rails available in a range of colour options:  
White (PK7010WH) – RAL 9016, Luminance Value 90  
Blue (PK7010BE) – RAL 5011, Luminance Value 6  
Grey (PK7010GY) - RAL 7005, Luminance Value 20  
Charcoal (PK7010CH) - RAL 7016, Luminance Value 8  
Stainless Steel (PK7010SS) - Luminance Value 42



## Fixed Shower Head and Handset PK7010 - -

Flow Rate (Litres per minute)	0.5 Bar	1 Bar	2 Bar	3 Bar	4 Bar	5 Bar
Through Fixed Head ( Flow Regulator Fitted )	3.4	4.9	6.3	7.4	8.0	8.3
Through Handset ( Flow Regulator Fitted )	3.9	5.3	8.0	8.5	9.0	9.0

The products included in this set, along with the layout details, comply with the requirements set out in Building Regulations Approved Document M (2015). Each Doc M pack is offered in a selection of colour finishes. Colour options vary by pack. All measurements shown are in millimetres. Drawing sizes are not to scale.

Image shows: white grab rails (PK7010WH)

# DOC M EXPOSED SHOWER PACK

## COMPRISING COMPONENTS

- Shower rail 1200 x 1200mm
- Shower curtain 1800 x 2000mm x 2
- Concealed shower valve (SF1135CP)
- Shower rail, hose and head
- 1 metre of chromed pipe
- Shower fixed head
- Shower diverter
- 4 x 600mm support rail concealed fixings
- 2 x Hinged support rail concealed fixings
- Pressalit seat and back rest

## APPROVALS

LABC certificate, ref: EWS1337E  
WRAS Approved, TMV3

## INSTALLATION

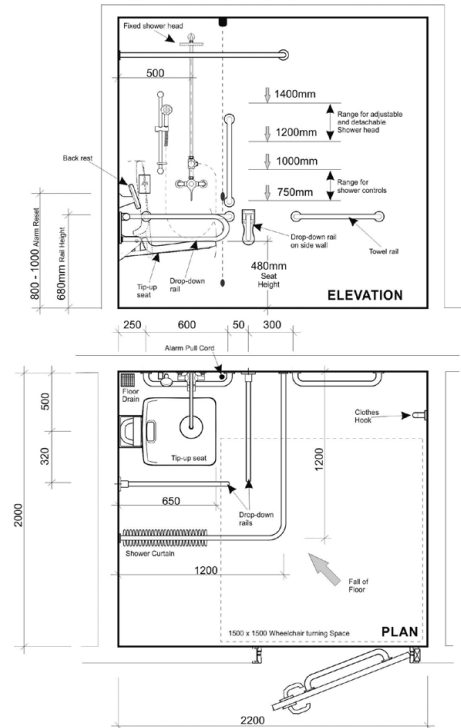
Minimum operating pressure 0.2 bar  
Maximum operating pressure 10 bar

## MATERIAL

Grab rails in powder coated aluminium.

## COLOURS

- Shower rail and curtain White only. Grey seat.
- Rails available in a range of colour options:
- White (PK7020WH) – RAL 9016, Luminance Value 90
- Blue (PK7020BE) – RAL 5011, Luminance Value 6
- Grey (PK7020GY) - RAL 7005, Luminance Value 20
- Charcoal (PK7020CH) - RAL 7016, Luminance Value 8
- Stainless Steel (PK7020SS) - Luminance Value 42



## Fixed Shower Head and Handset PK7020 - -

Flow Rate (Litres per minute)	0.5 Bar	1 Bar	2 Bar	3 Bar	4 Bar	5 Bar
Through Fixed Head ( Flow regulator Fitted )	5.5	7.8	8.8	8.9	8.9	9.0
Through Handset ( Flow Regulator Fitted )	3.9	5.3	8.0	8.5	9.0	9.0

The products included in this set, along with the layout details, comply with the requirements set out in Building Regulations Approved Document M (2015). Each Doc M pack is offered in a selection of colour finishes. Colour options vary by pack. All measurements shown are in millimetres. Drawing sizes are not to scale.

Image shows: grey grab rails (PK7020GY)

# DOC M OVERVIEW

	AMBULANT CC	AMBULANT BTW RIMLESS	CC VALUE	CC VALUE PLUS	CC RIMLESS SUPER	BTW RIMLESS	SHOWER - CONCEALED	SHOWER - EXPOSED
COLOUR OPTIONS	White/Blue	White/Blue/ Grey/ Stainless Steel/ Charcoal	White/Blue	White/Blue/ Grey	White/Blue/ Grey/ Stainless Steel/ Charcoal	White/Blue/ Grey/ Stainless Steel/ Charcoal	White/Blue/ Grey/ Stainless Steel/ Charcoal	White/Blue/ Grey/ Stainless Steel/ Charcoal
GRAB RAILS	Exposed Fixings	Concealed Fixings	Exposed Fixings	Concealed Fixings	Concealed Fixings	Concealed Fixings	Concealed Fixings	Concealed Fixings
HANDEDNESS	n/a	n/a	2TH with blanking plug	LH/RH	LH/RH	LH/RH	LH/RH	LH/RH
PAN TYPE	CC	BTW	CC	CC	CC	BTW	n/a	n/a
RIMLESS	No	Yes	No	No	Yes	Yes	n/a	n/a
BASIN SIZE	n/a	n/a	355mm x 250mm	355mm x 250mm	250mm x 400mm	250mm x 400mm	n/a	n/a
TAP	n/a	n/a	Domestic tap and External Blending Valve	Spray Mixer and External Blending Valve	Thermostatic Mixer	Thermostatic Mixer	n/a	n/a
SHOWER TYPE	n/a	n/a	n/a	n/a	n/a	n/a	Concealed valve, riser rail kit and commercial fixed head	Exposed valve, riser rail kit and domestic fixed head

# AVALON SHOWER SUPPORT ITEMS

## SHOWER CURTAIN RAIL

1200 x 1200mm

AV6814WH

### NOTE

Suitable for Doc M compliant shower rooms.

### MATERIAL

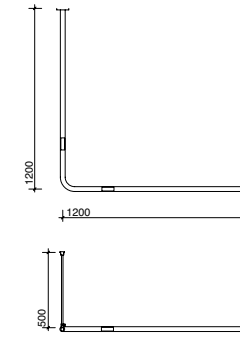
Powder coated aluminium.

### COLOURS

White WH (White RAL 9016, Luminance Value 90)

### FIXINGS

This rail must be securely fixed to a solid wall using appropriate fixings (not supplied). Fixing into unstable or soft block walls is not recommended. The wall must be flat.



Shower curtain rail

## SHOWER CURTAIN RAIL

1800 x 2000mm

AV6817WH

### NOTE

Suitable for use with Avalon shower curtain rail in Doc M compliant shower rooms.

### MATERIAL

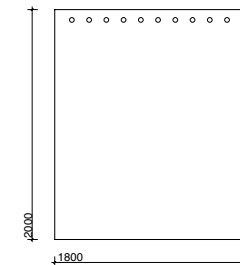
Polyester

### COLOURS

White WH.

### FIXINGS

Secure to Avalon shower curtain rail using rings supplied with rail.



Shower curtain

# AVALON SUPPORT ITEMS

## BACK SUPPORT WITH CUSHION

White AV4912WH  
Blue AV4912BE  
Grey AV4912GY



## MATERIAL

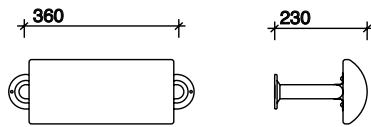
Powder coated aluminium.

## COLOURS

White WH, blue BE or grey GY.  
(Blue RAL 5011, Luminance Values 6)  
(Grey RAL 7005, Luminance Values 20)  
(White RAL 9016, Luminance Values 90)

## FIXINGS

Secure rail to wall using suitable fixings for wall structure. Concealed fittings.



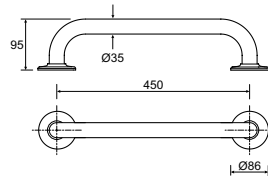
Back rest

## 450MM GRAB RAIL

White AV4901WH  
Blue AV4901BE  
Grey AV4901GY  
Charcoal AV4901CH



Grab rail



**MATERIAL** Powder coated aluminium.

## COLOURS

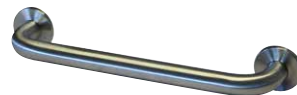
White WH, blue BE or grey GY.  
(Blue RAL 5011, Luminance Value 6)  
(Grey RAL 7005, Luminance Value 20)  
(White RAL 9016, Luminance Value 90)

## FIXINGS

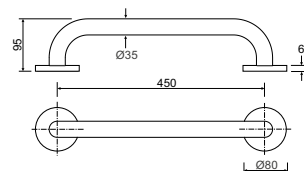
Secure rail to wall using suitable fixings for wall structure. Concealed fittings.

## 450MM GRAB RAIL

Stainless Steel AV4901SS



Grab rail



**MATERIAL** Stainless Steel.

## COLOURS

Stainless steel (Luminance Value 42)

## FIXINGS

Secure rail to wall using suitable fixings for wall structure. Concealed fittings.

# AVALON SUPPORT ITEMS

## 600MM GRAB RAIL

White AV4902WH  
Blue AV4902BE  
Grey AV4902GY  
Charcoal AV4902CH



Grab rail

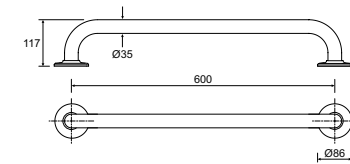
**MATERIAL** Powder coated aluminium.

## COLOURS

White WH, blue BE or grey GY.  
(Blue RAL 5011, Luminance Value 6)  
(Grey RAL 7005, Luminance Value 20)  
(White RAL 9016, Luminance Value 90)

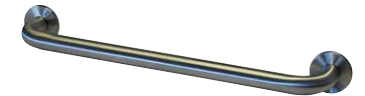
## FIXINGS

Secure rail to wall using suitable fixings for wall structure. Concealed fittings.



## 600MM GRAB RAIL

Stainless Steel AV4902SS



Grab rail

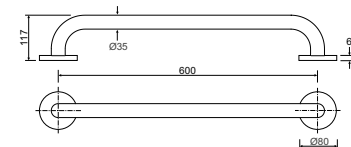
**MATERIAL** Stainless Steel.

## COLOURS

Stainless steel (Luminance Value 42)

## FIXINGS

Secure rail to wall using suitable fixings for wall structure. Concealed fittings.



# AVALON SUPPORT ITEMS

## HINGED SUPPORT RAIL WITH TOILET ROLL HOLDER

White	SR5906WH
Blue	SR5906BE
Grey	SR5906GY
Charcoal	SR5906CH

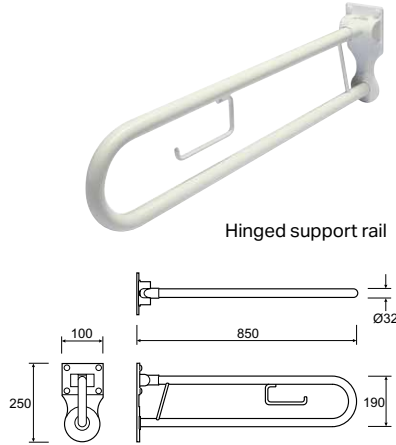
**MATERIAL** Powder coated aluminium.

### COLOURS

White WH, blue BE or grey GY.  
(Blue RAL 5011, Luminance Value 6)  
(Grey RAL 7005, Luminance Value 20)  
(White RAL 9016, Luminance Value 90)

### FIXINGS

This fixture must be securely fixed to a solid wall.  
For all other wall types the rail must be secured to  
a suitable structural member. Full instructions are  
included in each pack. Concealed fittings.



Hinged support rail

## HINGED SUPPORT RAIL

Stainless Steel **AV4915SS**

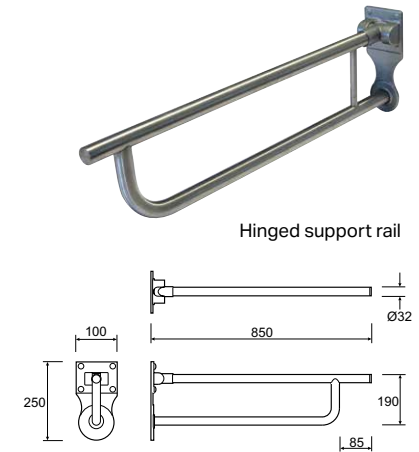
**MATERIAL** Stainless Steel.

### COLOURS

Stainless steel (Luminance Value 42)

### FIXINGS

This fixture must be securely fixed to a solid wall.  
For all other wall types the rail must be secured to  
a suitable structural member. Full instructions are  
included in each pack.



Hinged support rail

## HINGED SUPPORT RAIL WITHOUT TOILET ROLL HOLDER

White	AV4915WH
Blue	AV4915BE
Grey	AV4915GY
Charcoal	AV4915CH

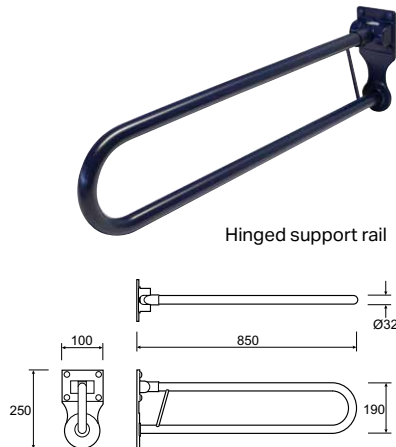
**MATERIAL** Powder coated aluminium.

### COLOURS

White WH, blue BE or grey GY.  
(Blue RAL 5011, Luminance Value 6)  
(Grey RAL 7005, Luminance Value 20)  
(White RAL 9016, Luminance Value 90)

### FIXINGS

This fixture must be securely fixed to a solid wall.  
For all other wall types the rail must be secured to  
a suitable structural member. Full instructions are  
included in each pack. Concealed fittings.



Hinged support rail

These products are designed to fold up against the wall to allow wheelchair access,  
in line with the requirements of Building Regulations Approved Document M3.

# AVALON 50MM EXTENSION

## AVALON 50MM EXTENSION

Avalon 50mm extension  
(for use with AV1498WH)

AV6900WH

### NOTE

To extend WC from wall to dimensions required under building regs Part M.

### MATERIAL

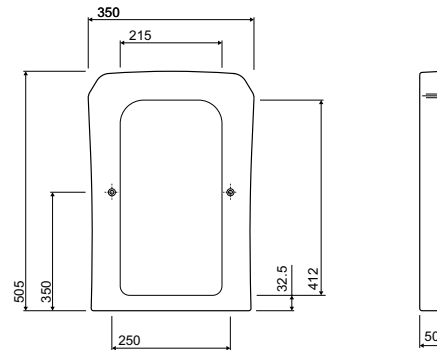
Resin stone.

### COLOURS

White.



Avalon 50mm extension



# DOC M SUPPORT ITEMS

## GRAB RAIL 450MM LONG

White  
Blue

SR5905WH  
SR5905BE

**MATERIAL** Powder coated steel.

### COLOURS

White WH (White RAL 9003, Luminance Value 76)  
Blue BE (Blue RAL 5011, Luminance Value 6)

### FIXINGS

Secure rail to wall using suitable fixings for wall structure. Exposed fittings.



Grab rail

## GRAB RAIL 600MM LONG

White  
Blue  
Grey

SR5902WH  
SR5902BE  
SR5902GY

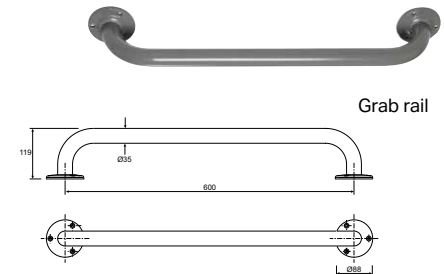
**MATERIAL** Powder coated steel.

### COLOURS

White WH (White RAL 9003, Luminance Values 76)  
Blue BE (Blue RAL 5011, Luminance Values 6)  
Grey GY (Grey RAL 7005, Luminance Values 20)

### FIXINGS

Secure rail to wall using suitable fixings for wall structure. Exposed fittings.



Grab rail

## HINGED SUPPORT RAIL WITH TOILET ROLL HOLDER

White  
Blue  
Grey

SR5810WH  
SR5810BE  
SR5810GY

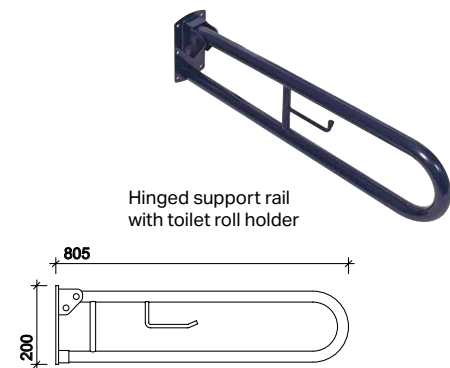
**MATERIAL** Powder coated steel.

### COLOURS

White WH (White RAL 9003, Luminance Values 76)  
Blue BE (Blue RAL 5011, Luminance Values 6)  
Grey GY (Grey RAL 7005, Luminance Values 20)

### FIXINGS

Secure rail to wall using suitable fixings for wall structure. Exposed fittings.



Hinged support rail with toilet roll holder

# DOC M SUPPORT ITEMS

## BACK SUPPORT AND CUSHION

White	SR4922WH
Blue	SR4922BE
Grey	SR4922GY
Charcoal	SR4922CH

**MATERIAL** Powder coated steel.

## COLOURS

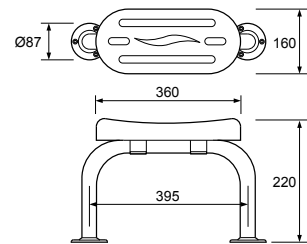
White WH (White RAL 9003, Luminance Values 76)  
 Blue BE (Blue RAL 5011, Luminance Values 6)  
 Grey GY (Grey RAL 7005, Luminance Values 20)

## FIXINGS

Secure rail to wall using suitable fixings for wall structure. Exposed fittings.



Back support with cushion



## BACK SUPPORT AND CUSHION

Stainless steel	SR4922SS
-----------------	----------

**MATERIAL** Stainless Steel.

## COLOURS

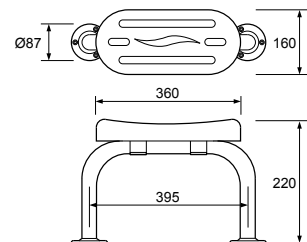
Stainless steel (Luminance Value 42)

## FIXINGS

Secure rail to wall using suitable fixings for wall structure. Exposed fittings.



Back support with cushion



# SAFETY MEETS DESIGN



AVAILABLE IN DIFFERENT **COLOURS AND FINISHES**

**Geberit Sales Ltd  
Geberit House  
Edgehill Drive  
Warwick  
CV34 6NH**

**T +44 (0) 1926 516800**

**F +44 (0) 1926 400101**

**E [enquiries@geberit.co.uk](mailto:enquiries@geberit.co.uk)**

**Literature 0800 007 5133**

**[twyfordbathrooms.com](http://twyfordbathrooms.com)**